

# LB: 5B / #1092625, 10B / #5009, 50B / #5016 18mm Snap-Off Replacement Blade



Slice through construction and industrial materials with proven durability and performance

## Applications:

Engineered to cut through thick materials such as: drywall, leather, cardboard, and other construction materials

## Measurements:

**A** – 4.33" (110mm), **B** – 3.93" (100mm),

Blade Segment – 13/32" (10mm)

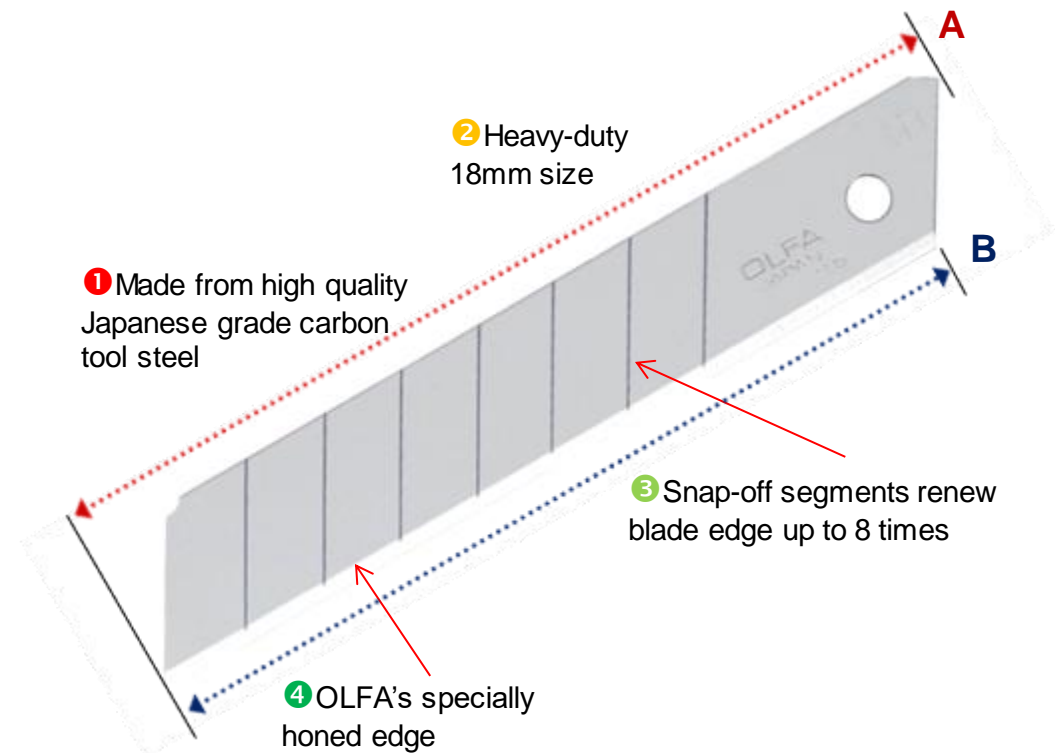
## User benefits:

- 1 Premium materials for durable, long-lasting performance
- 2 Fits all OLFA heavy-duty L - 18mm utility knives
- 2 18mm size cuts through thick materials
- 3 Save time and money with 8 renewable blade edges
- 4 Unparalleled sharpness and superior edge retention

## Why sell it:

- Well established sales history
- OLFA's most popular blade size has deep customer base
- 18mm blades cut more materials than 9mm blades

Blade System	Blade type / # of edges	Blade Materials
"L" - 18mm (Silver)	Segmented / 8 Edges	Carbon Tool Steel



Satisfaction Guaranteed