

MS Greenline

0809889 - 0809890 - 0809891

0809892 - 0809893 - 0809894



MS Schippers
Passion for farming

NL Klantenservice	+31 (0)497 339 787
BE Klantenservice/Service Clientèle	+32 (0)14-820713
DE Kundenservice	+49 (0)2833-923630
DK Kundeservice	+45 89884187
IT Servizio clienti	035-4490369
ES Servicio al cliente	+34 931816433
UK Customer Service	+44 (0)1733592049
CA Customer Service	+1 866 995-7771
FR Service Clientèle	+33 (0)2 99 61 40 40
EX Customer Service Export	+31 (0)497 700 278



MS Greenline

Index

In General.....	14
Safety	14
Description.....	14
Assembly.....	16
Commissioning.....	20
Operation	20
Ending of work.....	21

In General



Before using this device for the first time read the original operating manual carefully, follow the instructions and keep it for any later use or future owners.

	The packing material is recyclable. Please do not throw the packing into your domestic waste but have it recycled.
	Scrap devices contain valuable recyclable materials that should be recycled. Batteries, oil and similar substances must not come into the environment. Therefore please dispose of the scrap devices by suitable collection systems.

Safety



The device may only be used in accordance with the requirements.

- The device is meant for adding detergents respectively disinfectants to water in a dose previously determined by placing a restriction on it.
- The device can only be used with an adequate high pressure washer.
- This device is not meant for use by people (including children) with limited physical, sensory or mental abilities due to a lack of experience and/or knowledge. This is only possible if a person who is responsible for their safety supervises them or instructs them how to use the device.
- Do not point the jet to people, animals or dangerous objects.
- Check sensitive surfaces before use if necessary.
- Safety data sheets and product information given by the producer of the chemicals should be read carefully before use and precautions should be taken accordingly.

Description

The MS GREENLINE foam unit is for cleaning and disinfecting. The foam unit mainly consists of non-corrosive high-grade steel and can be cleaned easily. The unit is provided for the connection to high-pressure water supply. Connected this way the unit can be used for rinsing, foaming and disinfecting. This corresponds to qualitative cleaning on the highest level.

The unit can keep two containers (ca. 30 kg) with detergents and includes the following components:

- MS GREENLINE foam unit
- (Cart made of high-grade steel)
- 3m supply hose
- 0.5 m chemical-resistant hose (yellow) and 0.5 m chemical-resistant hose (blue) together with 2 stainless steel 10 mm suction pipes
- Foam lance
- 2 hose clamps
- Overflow valve



Please note: You will receive two separate restrictors with your MS Greenline delivery that have to be installed into the check valves for dosing the products. (see page 16 as well)

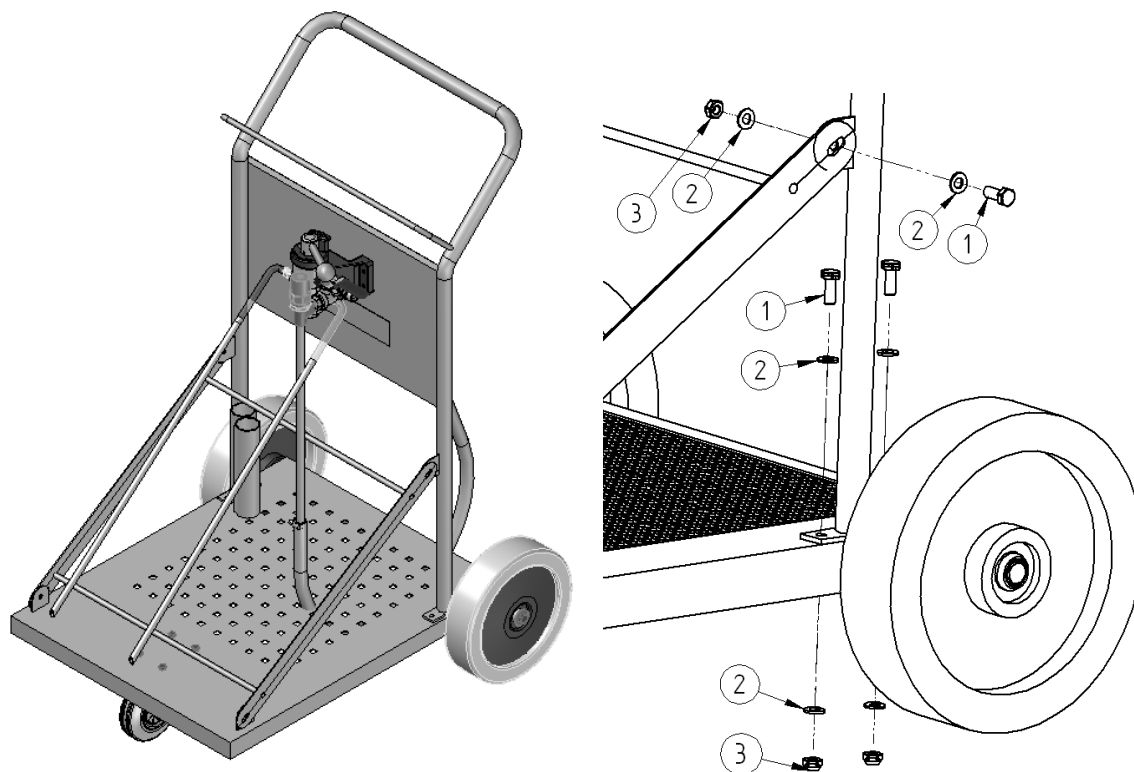


Technical Data	
Pressure	30 MPa
min. volume flow	10 l/min
max. temperature	90 °C
dimensions of foam cart (h x w x l)	1100 x 670 x 770
weight of foam cart	ca. 21 kg

Assembly

Set up the MS Greenline according to the following instructions.

First, assemble the stainless steel cart



Mount the MS Greenline tap onto the black plastic holder.



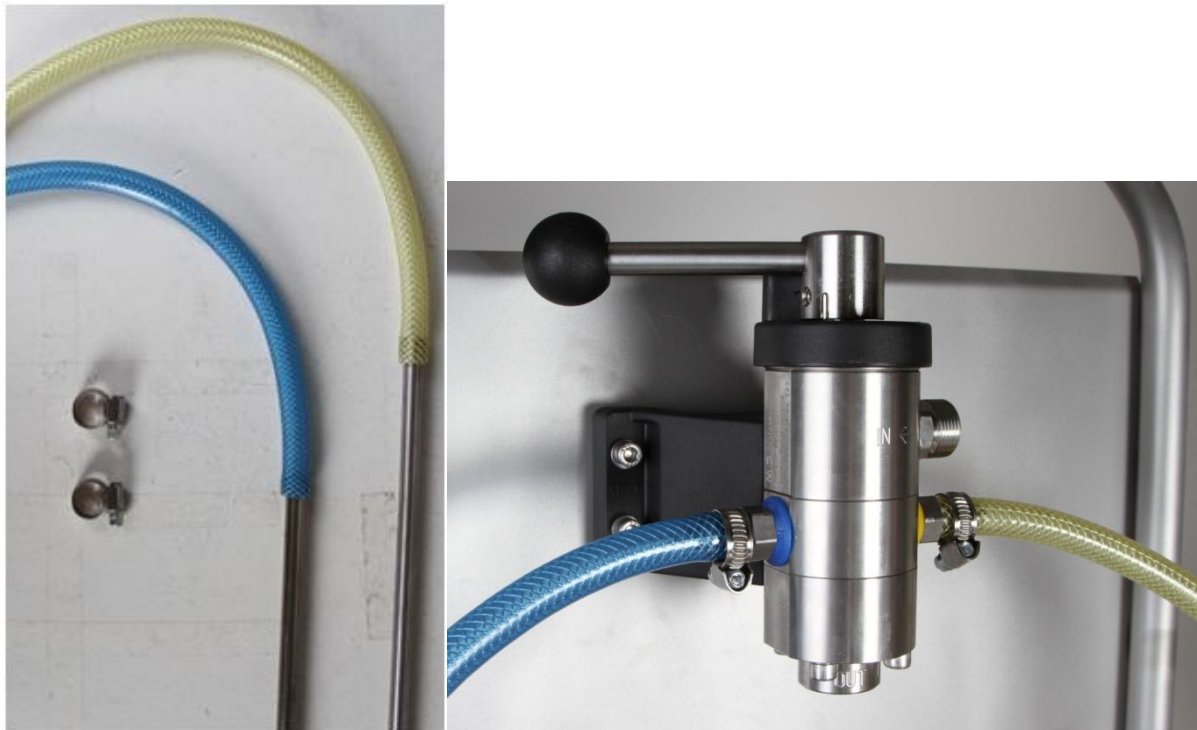
Mount these onto the cart and install the restrictors in the check valves.

Please note: Always use the largest restrictor for the

cleaning side (blue) and the smaller restrictor for disinfecting side (yellow).
If you have any doubts about dosages, please contact our customer service department.



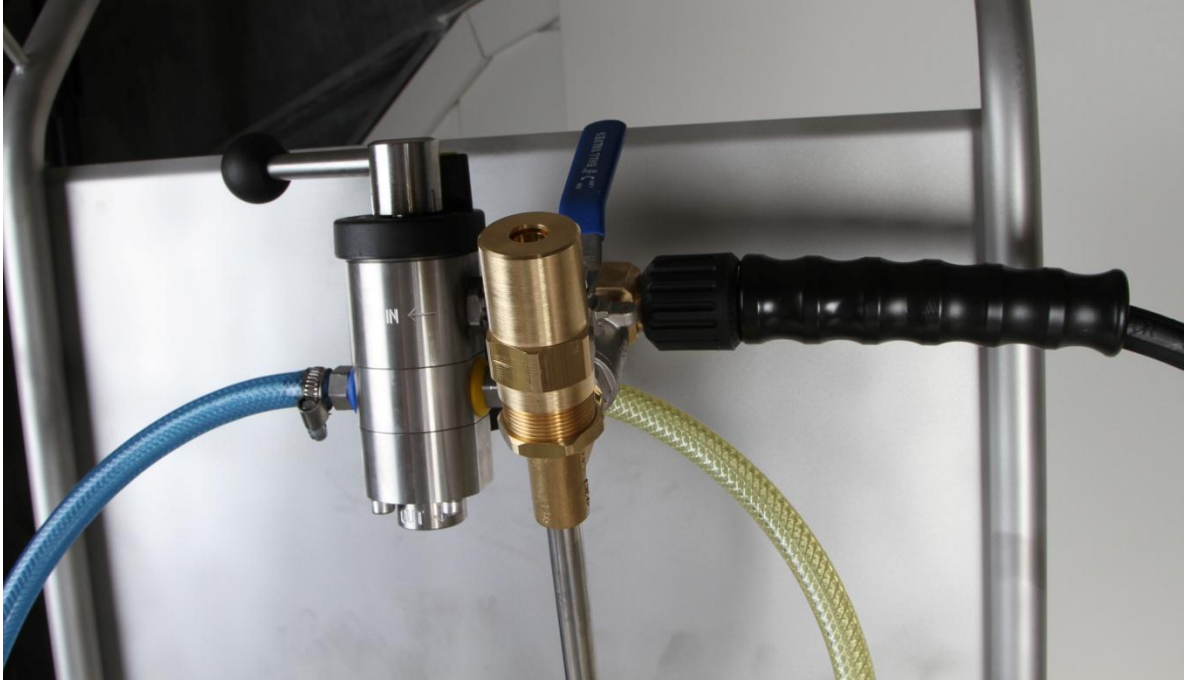
Connect the suction pins to hoses and fasten them to the check valves with the hose clamps.
Please note: Blue goes with blue and yellow with yellow.



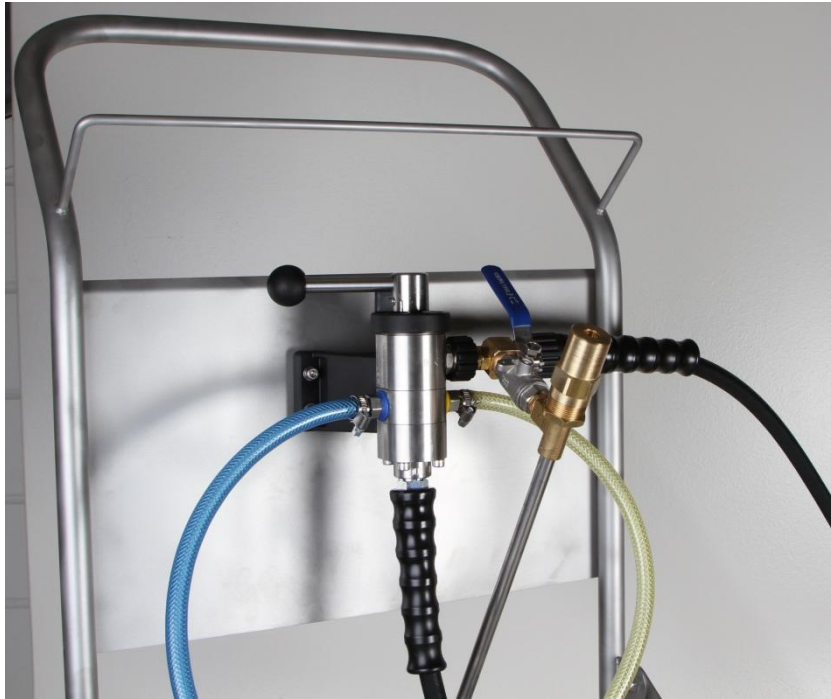
Connect the overflow valve to the 'in' side of the tap at a slight angle, so that the handle can still be moved from the blue side to the yellow side.



Connect the high pressure washer to the overflow valve by using the included 3 metre hose.



Connect your spray gun hose to the MS Greenline tap on the 'out' side and attach the lance to your spray gun.



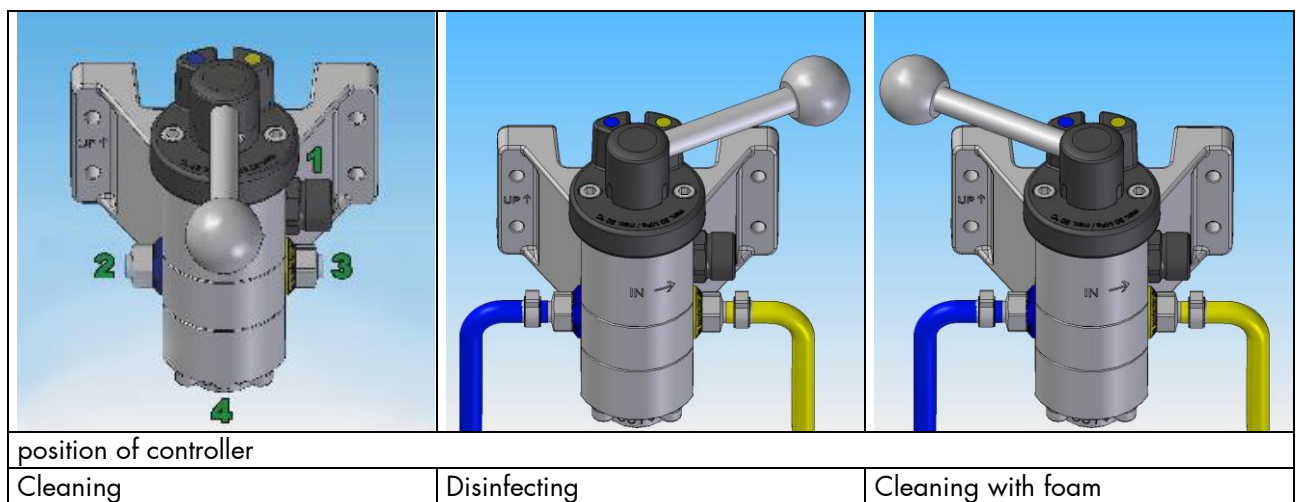
Place the container with the cleaning / disinfecting product on platform provided and push the pointed end of the suction pin into the cap of the jerrycan. Ensure that there is enough liquid in the jerrycan.
The MS Greenline is now ready for use!

Commissioning



The unit can be used together with a high pressure washer and a corresponding high pressure spray gun. Only approved attachments and spare parts should be used. Care for an adequate water supply. The water supply must be equipped with a filter of ≤ 60 micrometer in order to guarantee the best function of the double injector.

Operation



1. Connection pressure washer
2. Connection cleaning
3. Connection disinfection
4. Connection pistole and foamlance

- Starting position of the lever for the double injector MS GREENLINE is the middle (cleaning)
- To start up the high pressure washer must be switched on.
- At the beginning a cleaning of ca. 30 seconds should ensure that there are no remainders of detergents in the single components.
- By moving the lever to the left (blue) cleaning with foam or to the right (yellow) disinfecting the requested operation can take place.
- Use the supplied foam lance for foaming and disinfecting.
- Use the high pressure extension pole supplied by the manufacturer of the high pressure washer for cleaning.
- Please note that before changing the single detergents there has to be a cleaning interval of 30 seconds putting the lever in the middle.
- Avoid to mix the single detergents at any rate.
- After the end of working with the MS GREENLINE the complete unit must be clear rinsed. In order to do this both hoses being in a detergent have to be put into a container filled with clear water.
- Coarse outer soiling also has to be removed using clear water.

Installation overflow valve

1. Install the Overflow valve between the Greenline and the hose to the pressure cleaner and make sure the Greenline is installed completely, including the foam lance.
2. First, close the Overflow valve completely with the messing valve and open the blue handle (ON).
3. Test the Greenline on the foam side (blue side); when there is a good foam image (check movie foam image) and the pressure cleaner keeps working constant, it's ok and you can test the yellow side with disinfection. If not, go on with step 4.
4. Keep foaming with the lance, while slowly turning the messing valve open, step by step, and leave the blue handle on ON. See how the foam image changes and stop turning when you have a good firm foam AND the pressure cleaner keeps working constantly and stays within his operating pressure. From this moment the Overflow valve is set correctly and you can open and close it with the blue handle.

Ending of work

- Coarse outer soiling has to be removed using clear water.
- After cleaning the double injector MS GREENLINE and its service pipes switch off the high pressure generator unit.
- Reduce the pressure in the entire system by opening the gun.
- Keep the portable foam unit in a frost-free place.

Maintenance

- Check the complete machine regularly, especially the connections between the single components in order to detect damages. Perhaps screws have to be retightened in order to guarantee the best suction.
- At least once a year it is necessary to check all wearing parts of the complete machine
- In order to guarantee the function of the nonreturn valves during the operation it is necessary to check the valves. They have to be cleaned when they are dirty. Damaged nonreturn valves have to be replaced and defective o-rings have to be changed.
- Repairs may only be carried out by authorized and qualified staff.
- Only use original spare parts.

For further questions, spare parts or advice, please contact our customer service.